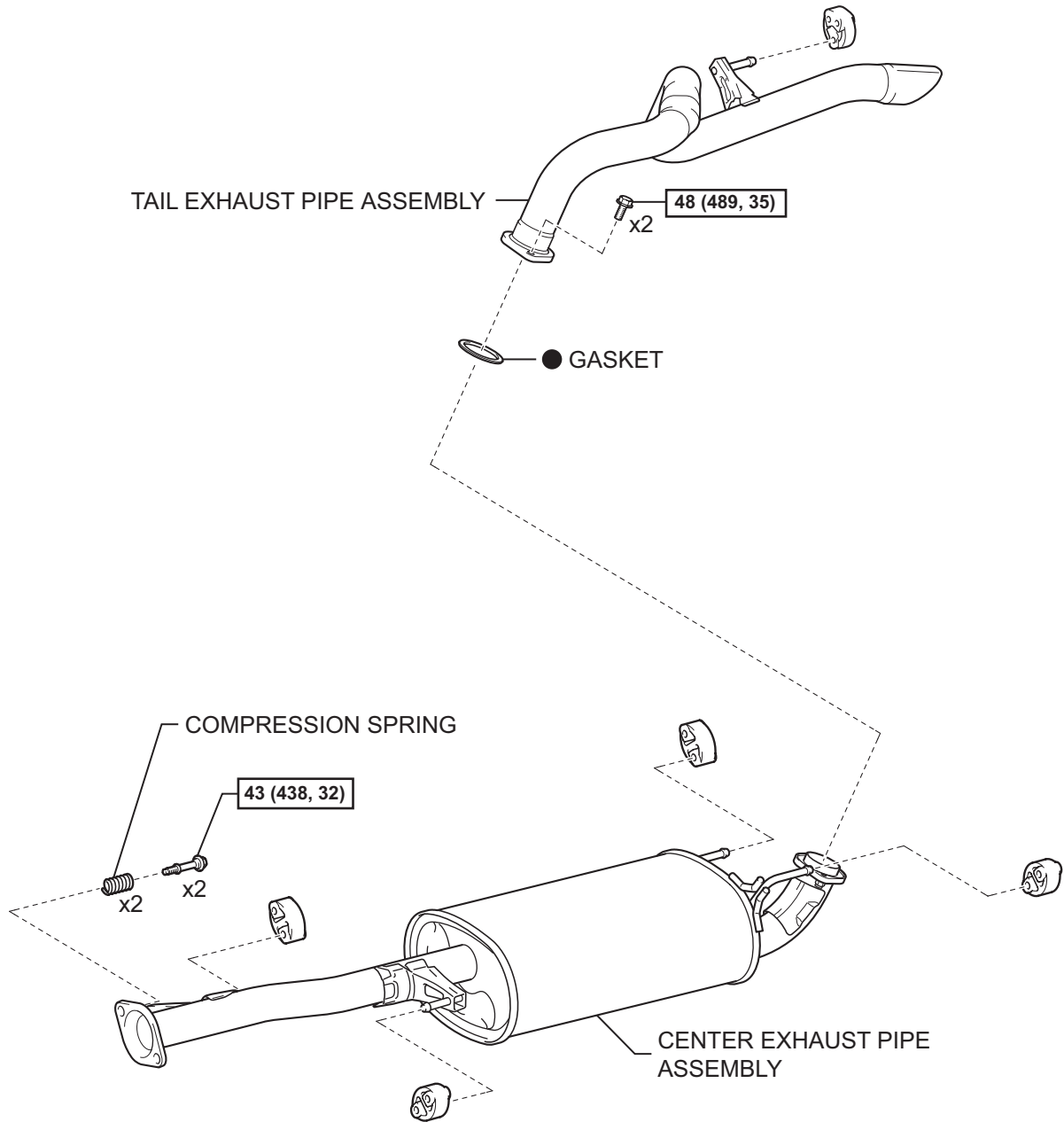


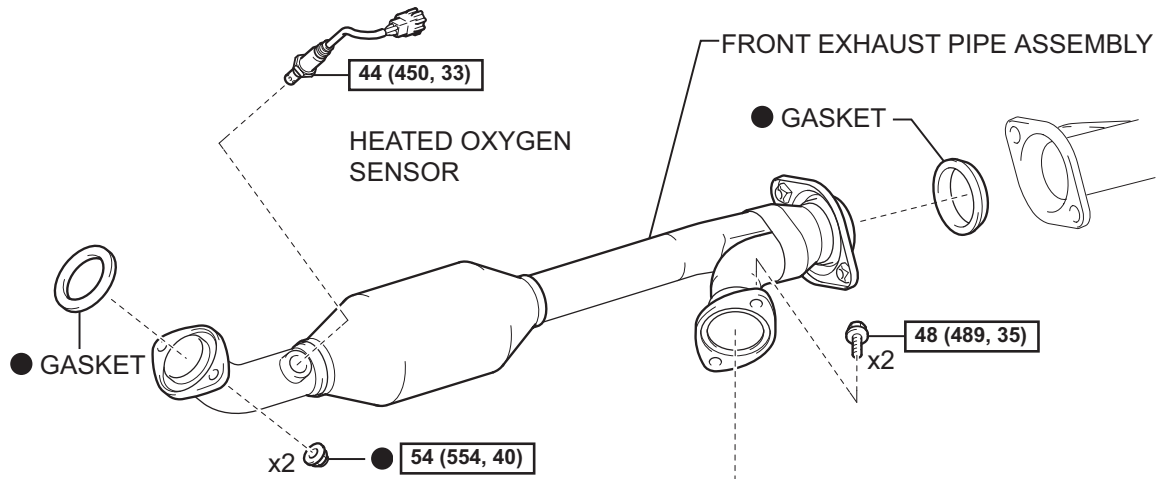
# EXHAUST PIPE COMPONENTS



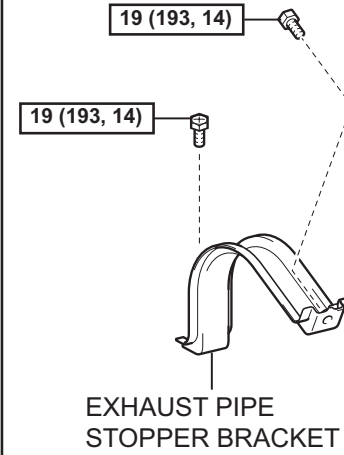
**N\*m (kgf\*cm, ft\*lb)** : Specified torque

● Non-reusable part

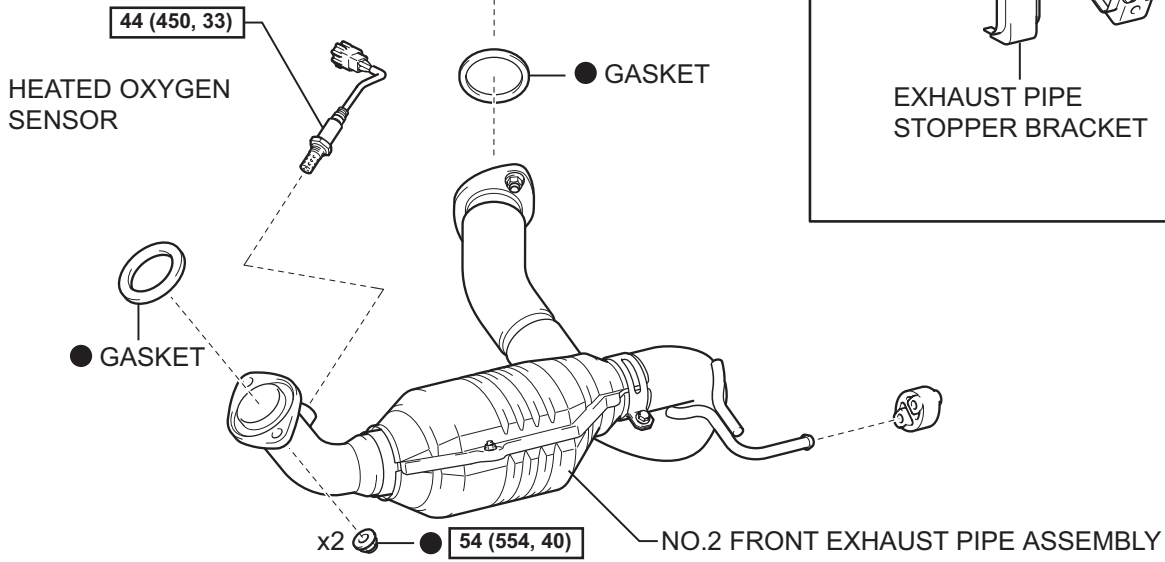
EX



for 4WD:



EX



[N\*m (kgf\*cm, ft\*lbf)]: Specified torque

● Non-reusable part